

# BKA 829

## Booster Amplifier

### Features:

- high output power
- 1 or 2 outputs
- adjustable gain
- adjustable slope
- CSO correction filter
- additional input
- test point on output

### Short description

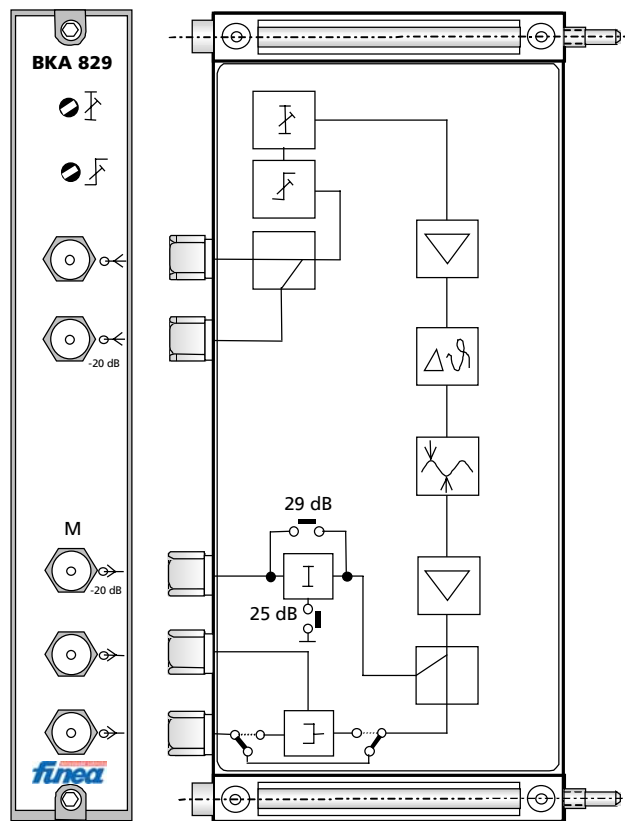
The booster amplifier BKA 829 is a high-power, high gain broadband amplifier applicable in modern HFC networks.

The amplifier is equipped with adjustable attenuator and equalizer allowing optimal adjustment of the input signal.

A second input (-20 dB) makes it possible to insert additional signals like pilot carrier.

An integrated jumper switch allows configuring for 1 or 2 outputs.

BKA 829 is powered through its rear 9 pins Submin. D connector.



Funea Broadband Services bv

Gouden Ridderstraat 1

Postbus 57

4900 AB Oosterhout

T: +31 (0) 162 475 800

F: +31 (0) 162 455 751

E: info@funea.com

I : www.funea.com

hr West Brabant nr 20061617

### Technical data

(preliminary)

Type	BKA 829
order no.	6508.41
Frequency range	47 – 862 MHz
Gain 1 / 2 outputs	29 / 25 dB
Attenuator adjustable	0 – 10 dB
Equalizer adjustable	0 – 8 dB
2. input	-20 dB $\pm$ 1 dB related to input
Flatness	< 1 dB
Return loss	> 18 dB @ 47 MHz -1,5 dB/Oct. min. 14 dB
Noise figure	< 10 dB
Test port	-20 dB $\pm$ 0,5 dB related to output
Intermodulation (60 dB)*	
CSO (CENELEC Raster 42 channels)	113 dB $\mu$ V
CTB (CENELEC Raster 42 channels)	111 dB $\mu$ V
IMA 2 (DIN 45004 A1)	120 dB $\mu$ V
IMA 3 (DIN 45004 B)	126 dB $\mu$ V
Temperature range	-20 ... +55°C
Operation voltage	24 V DC $\pm$ 2%
DC consumption	approx. < 840 mA
RF connectors	75 $\Omega$ , DIN/IEC
Dimensions (WxHxL)	40 x 248 x 114 mm (BK standard frame)
Weight	approx. 1,10 kg

\* one output