

VBD 400GU

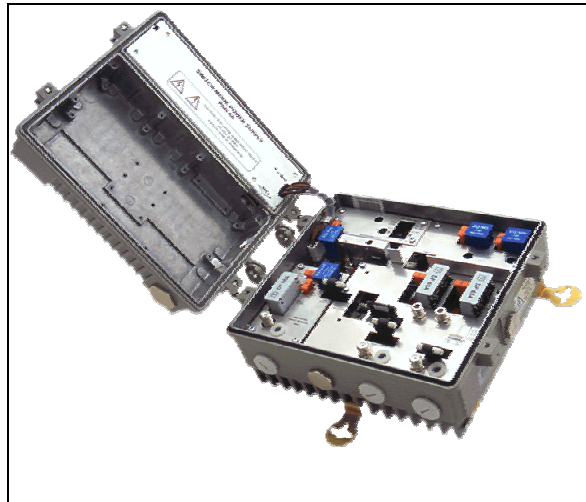
BOOSTER AMPLIFIER

GENERAL:

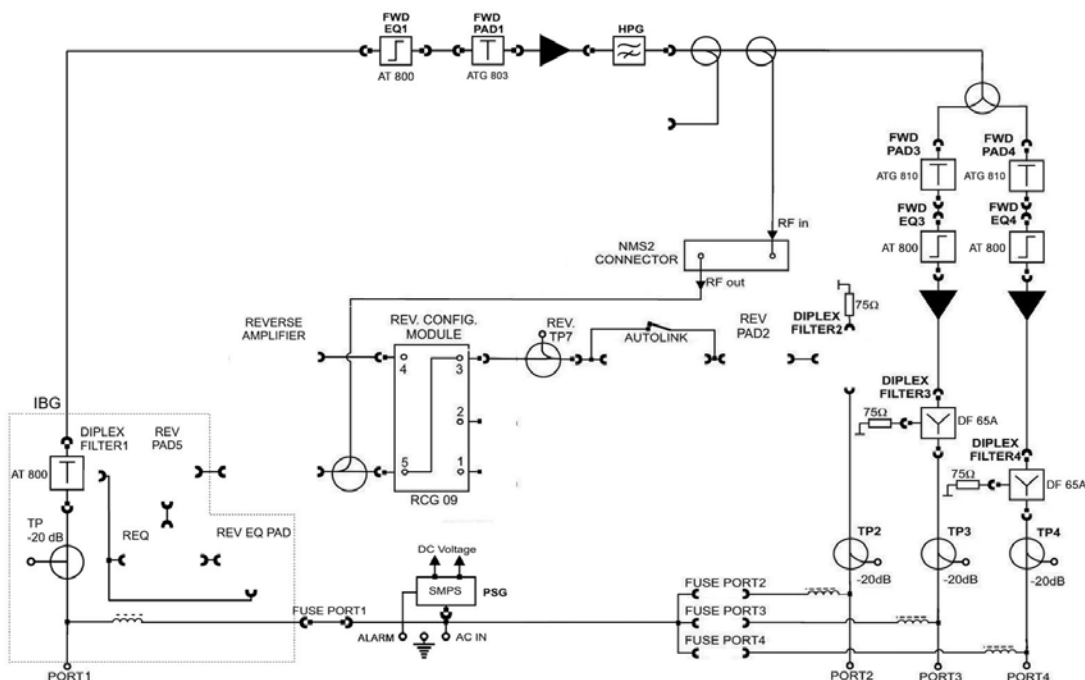
The VBD 400GU (U8X-22A-AE8/ES) is a high gain RF line-amplifier equipped with two double power GaAs output-hybrids: one for each output, thus providing maximal performance for application in modern HFC networks. Configuration of the amplifier is simple using plug-in modules for both attenuation and slope of the RF-signals. RF-input module can be easily replaced by an optical module, turning the amplifier into an optical node!

FEATURES:

- easy upgrading to optical node
- high gain, low noise
- double power GaAs hybrid per output
- two outputs
- inter-stage adjustment
- adjustment per output
- NMS interface for:
 - power supply ok



BLOCKDIAGRAM:



VBD 400GU

BOOSTER AMPLIFIER

TECHNICAL SPECIFICATIONS:

Parameter	Specification		Note
Frequency range	85 - 862	MHz	with DF65A duplex-filter
Max. gain	2 x 38	dB	with interstage ATG 810 plug-in
Operational gain	2 x 28	dB	
Flatness	±0.75	dB	
Interstage slope	0 - 22	dB	EQ 8xx plug-in
Return loss	≥18	dB	40 MHz, -1,5 dB/octave
Gain control	0 - 20	dB	ATG 8xx plug-in
Cable equalizer	0 - 24	dB	EQ 8xx plug-in
Output level	2 x 126	dBμV	DIN 45004B, typical value at 862 MHz
CTB	2 x 110	dBμV	EN50083-3, CTB -60 dB at +25°C, 42 channels (0 dB interstage).
CSO	2 x 111	dBμV	EN50083-3, CSO -60 dB at +25°C, 42 channels (0 dB interstage).
Noise figure	<7	dB	0 dB interstage
	<10	dB	10 dB interstage
TP attenuation	20	dB	±1,5 dB input TP, F-type, internal
	20	dB	±1 dB output TP, F-type, internal
Radiation	<20	dBpW	L = 120 dBμV
Hum modulation	-60	dB	
Supply voltage	35 - 65	VAC	50 - 60 Hz
Power consumption	<34	W	no return path RAG installed
Connectors	IN OUT	IEC M14 IEC M14	
Monitoring	open collector		power supply "ok"
Dimensions	195x245x125	mm	
Weight	4,3	kg	
Class of enclosure	IP 67		
Operating temp.	-40...+60	°C	
Surge protection:			
-inductive switching	100	A	2,5 kV; 1.5/40 μs
-electrostatic discharge	80	A	5 kV; 10/100 ns
-max. current	20	kA	8 μs

Note: return-path not installed!

Funea Broadband Services bv

Gouden Ridderstraat 1
Postbus 57
4900 AB Oosterhout
T: +31 (0) 162 475 800
F: +31 (0) 162 455 751
E: info@funea.com
I : www.funea.com
hr West Brabant nr 20061617