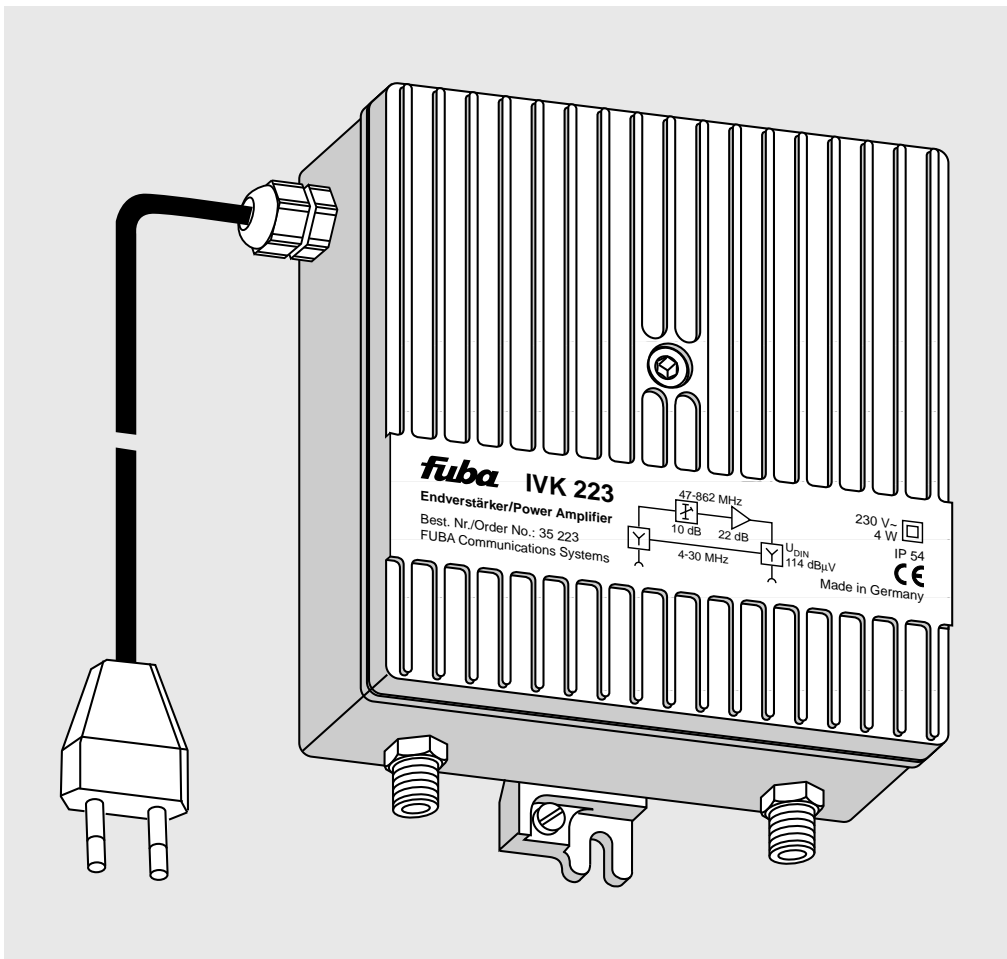


FUBA Microline

The Low-Cost In- and Outdoor Drop Amplifiers



Microline is FUBA's completely new series of drop amplifiers.

Preferred applications:

- In-House distribution amplifier (indoor and outdoor use)
- SMATV distribution amplifier (e. g. for compact signal processing unit)

Advantages of the Microline amplifier series:

- very good price/performance relation
- robust die-cast housing, IP 54
- simple installation
- graduated amplifier classes
- optimized to a high number of analog/digital channels
- suitable for reverse path operation, different frequency ranges
- meets all relevant standards
- Made in Germany

FUBA Microline

The Low-Cost In- and Outdoor Drop Amplifiers

General data

Dimensions:	137 x 162 x 69 (B x H x T)
Supply voltage:	230 V, 50 / 60 Hz, 1,5 m mains cord with euro connector
Protection requirement:	IP 54 (indoor/outdoor installation)
Cable connectors:	F-connector
Impedance:	75 Ω
Temperature range:	-20 °C bis +55 °C
Standards:	EN 50083, EN 60065, ISO 9000

Electrical data

Model Order No.	Frequency range [MHz]		Gain [dB]	Adjustment [dB] <input type="checkbox"/> / <input type="checkbox"/>	Output level [dB μ V]			Noise figure [dB]
	passive Upstream	Downstream			IMA3 ¹⁾	CTB ²⁾	CSO ²⁾	
IVK 223 35 223	4 - 30	47 - 862	22	15 / -	114	99	100	5.5
IVK 225 35 225	4 - 30	47 - 862	31	15 / 12	117	101	104	6.5
IVK 243 35 243	4 - 65	85 - 862	22	15 / -	114	99	100	5.5
IVK 245 35 245	4 - 65	85 - 862	31	15 / 12	117	101	104	6.5

1) DIN 45004 B

2) CENELEC EN 50083-3 (42 Channels)

Single package: cardboard box

Collective package: 10 peaces

fuba
Communications Systems

Fuba Nederland bv - Gouden Rijderstraat 1 - Postbus 57 - 4900 AB - Oosterhout
Tel. +31 (0)162-475800 - Fax +31 (0)162-455751